



NSAI
Standards

Irish Standard
I.S. EN 12566-3:2016

Small wastewater treatment systems for up to 50 PT - Part 3: Packaged and/or site assembled domestic wastewater treatment plants

© CEN 2016 No copying without NSAI permission except as permitted by copyright law.

I.S. EN 12566-3:2016

Incorporating amendments/corrigenda/National Annexes issued since publication:

The National Standards Authority of Ireland (NSAI) produces the following categories of formal documents:

I.S. xxx: Irish Standard — national specification based on the consensus of an expert panel and subject to public consultation.

S.R. xxx: Standard Recommendation — recommendation based on the consensus of an expert panel and subject to public consultation.

SWiFT xxx: A rapidly developed recommendatory document based on the consensus of the participants of an NSAI workshop.

This document replaces/revises/consolidates the NSAI adoption of the document(s) indicated on the CEN/CENELEC cover/Foreword and the following National document(s):

NOTE: The date of any NSAI previous adoption may not match the date of its original CEN/CENELEC document.

This document is based on:

EN 12566-3:2016

Published:

2016-08-31

This document was published under the authority of the NSAI and comes into effect on:

2016-09-19

ICS number:

13.060.30

NOTE: If blank see CEN/CENELEC cover page

NSAI
1 Swift Square,
Northwood, Santry
Dublin 9

T +353 1 807 3800
F +353 1 807 3838
E standards@nsai.ie
W NSAI.ie

Sales:
T +353 1 857 6730
F +353 1 857 6729
W standards.ie

Údarás um Chaighdeáin Náisiúnta na hÉireann

National Foreword

I.S. EN 12566-3:2016 is the adopted Irish version of the European Document EN 12566-3:2016, Small wastewater treatment systems for up to 50 PT - Part 3: Packaged and/or site assembled domestic wastewater treatment plants

Where a part of this EN allows for a choice to be made at national level this is addressed in the National document S.R. 66:2015.

If this standard has been changed (revised/amended/corrected) and the National document has yet to be revised to account for the change(s), the National document for the previous version is available. Judgement by a competent person must be applied if using guidance contained therein.

This document does not purport to include all the necessary provisions of a contract. Users are responsible for its correct application.

Compliance with this document does not of itself confer immunity from legal obligations.

In line with international standards practice the decimal point is shown as a comma (,) throughout this document.

This is a free 12 page sample. Access the full version online.

This page is intentionally left blank

EUROPEAN STANDARD

EN 12566-3

NORME EUROPÉENNE

EUROPÄISCHE NORM

August 2016

ICS 13.060.30

Supersedes EN 12566-3:2005+A2:2013

English Version

Small wastewater treatment systems for up to 50 PT - Part 3: Packaged and/or site assembled domestic wastewater treatment plants

Petites installations de traitement des eaux usées
jusqu'à 50 PTE - Partie 3: Stations d'épuration des eaux
usées domestiques fabriquées en usine et/ou
assemblées sur site

Kleinkläranlagen für bis zu 50 EW - Teil 3:
Vorgefertigte und/oder vor Ort montierte Anlagen zur
Behandlung von häuslichem Schmutzwasser

This European Standard was approved by CEN on 25 June 2016.

CEN members are bound to comply with the CEN/CENELEC Internal Regulations which stipulate the conditions for giving this European Standard the status of a national standard without any alteration. Up-to-date lists and bibliographical references concerning such national standards may be obtained on application to the CEN-CENELEC Management Centre or to any CEN member.

This European Standard exists in three official versions (English, French, German). A version in any other language made by translation under the responsibility of a CEN member into its own language and notified to the CEN-CENELEC Management Centre has the same status as the official versions.

CEN members are the national standards bodies of Austria, Belgium, Bulgaria, Croatia, Cyprus, Czech Republic, Denmark, Estonia, Finland, Former Yugoslav Republic of Macedonia, France, Germany, Greece, Hungary, Iceland, Ireland, Italy, Latvia, Lithuania, Luxembourg, Malta, Netherlands, Norway, Poland, Portugal, Romania, Slovakia, Slovenia, Spain, Sweden, Switzerland, Turkey and United Kingdom.



EUROPEAN COMMITTEE FOR STANDARDIZATION
COMITÉ EUROPÉEN DE NORMALISATION
EUROPÄISCHES KOMITEE FÜR NORMUNG

CEN-CENELEC Management Centre: Avenue Marnix 17, B-1000 Brussels

Contents	Page
European foreword.....	6
1 Scope	8
2 Normative references	8
3 Terms, definitions, symbols and abbreviated terms	9
3.1 Terms and definitions	9
3.2 Symbols and abbreviated terms	10
4 Product characteristics	11
4.1 Design	11
4.1.1 General	11
4.1.2 Inlets, outlets, internal pipework and connections	11
4.1.3 Access	11
4.1.4 Sizing basis	12
4.1.5 Overall dimensions	12
4.2 Load bearing capacity	12
4.3 Treatment efficiency	13
4.4 Watertightness	13
4.4.1 General	13
4.4.2 Water test	13
4.4.3 Vacuum test	13
4.4.4 Pneumatic pressure test	13
4.5 Durability	14
4.5.1 General	14
4.5.2 Concrete	14
4.5.3 Steel	14
4.5.4 Unplasticized polyvinyl chloride (PVC-U)	14
4.5.5 Polyethylene (PE)	14
4.5.6 Glass reinforced plastic (GRP)	15
4.5.7 Polypropylene (PP)	16
4.5.8 PDCPD	16
4.5.9 Flexible sheets	17
4.6 Reaction to fire	17
4.6.1 General	17
4.6.2 Plants classified as Class A1 without the need for testing	17
4.6.3 Plants classified according to the test results	18
4.7 Power consumption	18
4.8 Dangerous substances	18
5 Testing, assessment and sampling methods	19
5.1 Load bearing capacity	19
5.1.1 Generals	19
5.1.2 Load bearing capacity determined by calculation	19
5.1.3 Load bearing capacity determined by testing	20
5.2 Treatment efficiency	22
5.3 Watertightness	23
6 Assessment and verification of constancy of performance – AVCP	23
6.1 General	23

6.2	Type testing	23
6.2.1	General	23
6.2.2	Test samples, testing and compliance criteria.....	24
6.2.3	Test reports	26
6.2.4	Shared other party results	26
6.2.5	Cascading determination of the product type results	26
6.3	Factory production control	27
6.3.1	General	27
6.3.2	Requirements.....	28
6.3.3	Product specific requirements	31
6.3.4	Initial inspection of factory and of FPC	31
6.3.5	Continuous surveillance of FPC	32
6.3.6	Procedure for modifications.....	32
6.3.7	One-off products, pre-production products (e.g. prototypes) and products produced in very low quantity	32
7	Classification and designation (Nominal designation)	33
8	Marking, labelling and packaging.....	33
8.1	Marking	33
8.2	Installation instructions.....	33
8.3	Operation and maintenance instructions.....	34
	Annex A (normative) Watertightness test	35
A.1	Selection of test	35
A.2	Water test	35
A.2.1	Sample	35
A.2.2	Procedure	35
A.2.3	Expression of results	36
A.3	Air permeability vacuum test.....	36
A.3.1	Sample	36
A.3.2	Procedure	36
A.3.3	Expression of results	36
A.4	Pneumatic pressure test	37
A.4.1	Sample	37
A.4.2	Procedure	37
A.4.3	Expression of results	37
	Annex B (normative) Treatment efficiency test procedure	38
B.1	Responsibility and testing location.....	38
B.2	Plant selection and preliminary evaluation	38
B.2.1	General	38
B.2.2	Installation and commissioning	38
B.2.3	Operation and maintenance procedures during testing.....	38
B.2.4	Data to be monitored.....	38
B.3	Test procedure	39

B.3.1	Time for establishment.....	39
B.3.2	Influent characteristics.....	39
B.3.3	Daily flow pattern for testing.....	40
B.3.4	Test procedure	40
B.3.4.1	General.....	40
B.3.4.2	Overload	42
B.3.4.3	Peak flow discharge	42
B.3.4.4	Power breakdown / machine breakdown	42
B.3.5	Influent and effluent samplings.....	42
B.4	Sample analysis.....	43
B.5	Test report.....	43
	Annex C (normative) Test methods for structural behaviour.....	44
C.1	General.....	44
C.2	Crushing test for concrete plant	44
C.2.1	Crushing test methods.....	44
C.2.2	Crushing test procedures	45
C.2.2.1	Type A test (vertical load).....	45
C.2.2.1.1	Sample.....	45
C.2.2.1.2	Procedure	45
C.2.2.1.3	Expression of results	45
C.2.2.2	Type B test (horizontal load)	46
C.2.2.2.1	Sample.....	46
C.2.2.2.2	Procedure	46
C.2.2.2.3	Expression of results	46
C.2.2.3	Type C test (vertical load)	46
C.2.2.3.1	Sample.....	46
C.2.2.3.2	Procedure	47
C.2.2.3.3	Expression of results	47
C.3	Vertical load test for PE, PP and PDCPD plant	47
C.3.1	Sample.....	47
C.3.2	Procedure.....	47
C.3.3	Expression of results.....	48
C.4	Vacuum test for GRP plants	48
C.5	Pit test.....	49
C.5.1	Sample.....	49
C.5.2	Procedure.....	49

C.5.3	Expression of results	50
Annex D (normative)	Mechanical characteristics used for structural behaviour calculation.....	51
D.1	Concrete	51
D.2	GRP	51
D.3	PVC-U.....	51
D.4	PE and PP	51
D.5	Steel	51
Annex E (informative)	Analysis method.....	52
Annex ZA (informative)	Clauses of this European Standard addressing the provisions of the EU Construction Products Regulation	53
ZA.1	Scope and relevant characteristics	53
ZA.2	Procedure of attestation of conformity of packaged and/or site assembled domestic wastewater treatment plants.....	55
ZA.2.1	System(s) of AVCP.....	55
ZA.2.2	Declaration of performance (DoP).....	57
ZA.2.2.1	General	57
ZA.2.2.2	Content	57
ZA.2.2.3	Example of DoP	58
ZA.3	CE marking and labelling.....	60
Bibliography	63

European foreword

This document (EN 12566-3:2016) has been prepared by Technical Committee CEN/TC 165 “Waste water engineering”, the secretariat of which is held by DIN.

This European Standard shall be given the status of a national standard, either by publication of an identical text or by endorsement, at the latest by February 2017, and conflicting national standards shall be withdrawn at the latest by May 2018.

Attention is drawn to the possibility that some of the elements of this document may be the subject of patent rights. CEN [and/or CENELEC] shall not be held responsible for identifying any or all such patent rights.

This document supersedes EN 12566-3:2005+A2:2013.

This document has been prepared under a mandate given to CEN by the European Commission and the European Free Trade Association, and supports essential requirements of EU Directive(s).

For relationship with EU Directive(s), see informative Annex ZA, which is an integral part of this document.

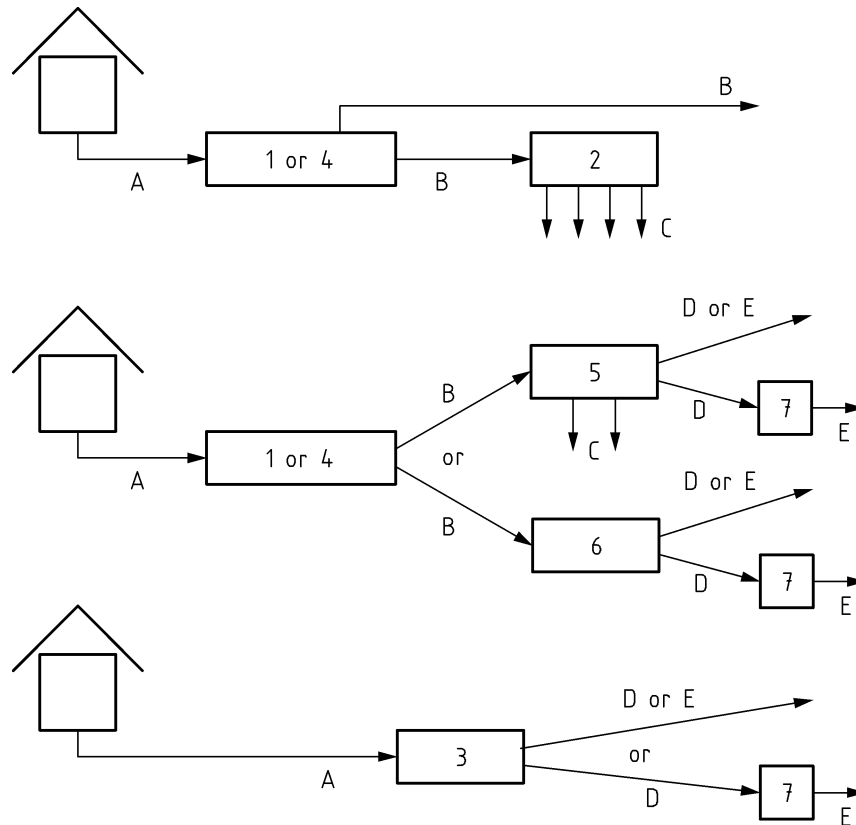
The differences between this version and EN 12566-3:2005+A2:2013 are mainly editorial changes according to the Construction Product Regulation (CPR) and declaration of power consumption and desludging during treatment efficiency test.

The standard series EN 12566 “Small wastewater treatment systems for up to 50 PT” contains the following parts (see Figure 1):

- *Part 1: Prefabricated septic tanks;*
- *Part 3: Packaged and/or site assembled domestic wastewater treatment plants (this document);*
- *Part 4: Septic tanks assembled in situ from prefabricated kits;*
- *Part 6: Prefabricated treatment unit used for septic tank effluent;*
- *Part 7: Prefabricated tertiary treatment unit*

For filtration systems, CEN/TC 165 decided to publish the following CEN Technical reports, which are considered as Code of practices and do not specify treatment requirements:

- *Part 2: Soil infiltration systems*
- *Part 5: Pre-treated Effluent Filtration systems*

**Key**

A	domestic wastewater	1	prefabricated septic tank
B	septic tank effluent	2	soil infiltration system
C	treated infiltrated effluent	3	packaged and/or site assembled domestic wastewater treatment plant
D	treated wastewater	4	septic tank assembled <i>in situ</i> from prefabricated kit
E	tertiary treated wastewater	5	pre-treated effluent filtration system
		6	prefabricated treatment unit used for septic tank effluent
		7	prefabricated tertiary treatment unit

National regulations may specify different arrangements between the products described in the standard series EN 12566.

Figure 1 — Scheme related to the arrangement of the parts of EN 12566

According to the CEN/CENELEC Internal Regulations, the national standards organizations of the following countries are bound to implement this European Standard: Austria, Belgium, Bulgaria, Croatia, Cyprus, Czech Republic, Denmark, Estonia, Finland, Former Yugoslav Republic of Macedonia, France, Germany, Greece, Hungary, Iceland, Ireland, Italy, Latvia, Lithuania, Luxembourg, Malta, Netherlands, Norway, Poland, Portugal, Romania, Slovakia, Slovenia, Spain, Sweden, Switzerland, Turkey and the United Kingdom.

1 Scope

This European Standard specifies requirements, test methods, the marking and evaluation of conformity for packaged and/or site assembled domestic wastewater treatment plants (including guest houses and businesses) used for populations up to 50 inhabitants. Small wastewater treatment plants according to this European Standard are used for the treatment of domestic wastewater.

It covers plants made of concrete, steel, PVC-U, Polyethylene (PE), Polypropylene (PP), Glass Reinforced Polyester (GRP-UP), Polydicyclopentadiene (PDCPD), PVC and EPDM.

The test methods specified in this European Standard establish the performance of the plant, needed to verify its suitability for the end use (see 5.2).

This European Standard applies to small wastewater treatment plants for use buried in the ground where no vehicle loads are applied to the product.

This European Standard applies to plants where all prefabricated components are factory or site-assembled by one manufacturer and which are tested as a whole.

NOTE In some countries, domestic wastewater treatment plants are followed by other systems to conform to national regulations.

2 Normative references

The following documents, in whole or in part, are normatively referenced in this document and are indispensable for its application. For dated references, only the edition cited applies. For undated references, the latest edition of the referenced document (including any amendments) applies.

EN 206, *Concrete — Specification, performance, production and conformity*

EN 580, *Plastics piping systems — Unplasticized poly(vinyl chloride) (PVC-U) pipes — Test method for the resistance to dichloromethane at a specified temperature (DCMT)*

EN 727, *Plastics piping and ducting systems — Thermoplastics pipes and fittings — Determination of Vicat softening temperature (VST)*

EN 858-1, *Separator systems for light liquids (e.g. oil and petrol) — Part 1: Principles of product design, performance and testing, marking and quality control*

EN 976-1:1997, *Underground tanks of glass-reinforced plastics (GRP) — Horizontal cylindrical tanks for the non-pressure storage of liquid petroleum based fuels — Part 1: Requirements and test methods for single wall tanks*

EN 978:1997, *Underground tanks of glass-reinforced plastics (GRP) — Determination of factor alpha and factor beta*

EN 1905, *Plastics piping systems — Unplasticized poly(vinyl chloride) (PVC-U) pipes, fittings and material — Method for assessment of the PVC content based on total chlorine content*

EN 10088-1, *Stainless steels — Part 1: List of stainless steels*

EN 12311-2, *Flexible sheets for waterproofing — Determination of tensile properties — Part 2: Plastic and rubber sheets for roof waterproofing*

EN 13369, *Common rules for precast concrete products*

This is a free preview. Purchase the entire publication at the link below:

I.S. EN 12566-3:2016 - PDF

-
- ⤵ Looking for additional Standards? Visit SAI Global Infostore
 - ⤵ Learn about LexConnect, All Jurisdictions, Standards referenced in Australian legislation
-

Need to speak with a Customer Service Representative - Contact Us